



'MCV' Series Water Softener

**INSTALLATION, OPERATION,
AND MAINTENANCE MANUAL**

COMPLETE FOR FUTURE REFERENCE:

MODEL NO:

SERIAL NO:

DATE INSTALLED:

DEALER:

Marlo Incorporated

2227 South Street

P.O. Box 044170

Racine, WI 53404-7003

Ph. (262) 681-1300

Fax (262) 681-1318

Info@Marlo-Inc.com

www.Marlo-Inc.com



LIMITED WARRANTY FOR WATER CONDITIONERS AND FILTERS

LIMITED WARRANTY

Marlo Incorporated, P.O. Box 044170, 2227 South Street, Racine, Wisconsin 53404, makes the following guarantees to the original consumer buyer of its water conditioners and filters:

Pressure Vessel - TEN YEARS

Marlo Incorporated guarantees to the original consumer buyer that the water conditioner or filter fiberglass pressure vessel will not rust, corrode, leak or burst during the first ten years of original installation, provided that the conditioner or filter is installed in accordance with manufacturers' printed instructions and is not subjected to water pressure exceeding 125 psi and/or water temperature exceeding 120°F, providing further that the vessel is not subjected to misuse, alteration, neglect, freezing, fire or accident, and further providing the vessel is not damaged by an act of nature such as, but not limited to, a flood, hurricane or tornado.

If during the first ten years of original installation the pressure vessel proves, after inspection by Marlo Incorporated, to be defective in material or workmanship, Marlo Incorporated will furnish to the original consumer buyer a new replacement vessel without charge. You pay freight one way and local labor charges. No allowance is made for consequential damage, labor, or expense incurred as a result of proven defect.

Brine Tank, Brine Cabinet, or Solution Container - FIVE YEARS

Marlo Incorporated also guarantees to the original consumer buyer, that the water conditioner brine tank or brine cabinet or filter chemical solution container, to be free from defects in material or workmanship for five years after original installation provided that the brine tank, cabinet, or solution container is not subjected to misuse, alteration, neglect, freezing, fire or accident, and further providing the same is not damaged by an act of nature such as, but not limited to, a flood, hurricane, tornado, or ultra-violet ray attack.

If during the five year period the brine tank, cabinet, or solution container proves, after inspection by Marlo Incorporated, to be defective in materials or workmanship, Marlo Incorporated, will replace the same with a new brine tank, cabinet, or solution container without charge. You pay freight one way and local labor charges. No allowance is made for consequential damage, labor, or expense incurred as a result of proven defect.

Valve Module - FIVE YEARS

Marlo Incorporated also guarantees to the original consumer buyer that the water conditioner or filter, noryl plastic module valve or brass valve to be free from defects in material and workmanship for five years after original installation.

If during this five year period the valve module proves, after inspection by Marlo Incorporated, to be defective in materials or workmanship, Marlo Incorporated will replace or, at Marlo Incorporated's sole option, repair the same without charge. You pay freight one way and local labor charges. No allowance is made for consequential damage, labor, or expense incurred as a result of proven defect.

General Provisions

Marlo Incorporated assumes no responsibility with respect to any portion of these warranties in the event of abuse, misuse or negligence by the original consumer buyer or for failure to meet the terms of these warranties caused by strikes, government regulations, material shortages or circumstances beyond Marlo Incorporated's control.

The warranties set forth herein are contingent upon receipt by Marlo Incorporated of written notice of any defect within thirty days after the same is discovered and upon the proper installation and operation of the water conditioner in accordance with factory specifications and applicable plumbing codes and ordinances. Marlo Incorporated's sole obligation under these warranties is to repair or replace the component or part in question which proves to be defective in material or workmanship within the time periods specified. Marlo Incorporated IS NOT LIABLE FOR CONSEQUENTIAL OR INCIDENTAL DAMAGES. No Marlo Incorporated dealer, agent, representative, or other person is authorized to alter, extend or to expand these warranties.

THE EFFECTIVE PERIODS OF ANY APPLICABLE IMPLIED WARRANTIES ARE LIMITED TO THE EFFECTIVE PERIODS OF THE WRITTEN WARRANTIES AS SPECIFIED HEREIN. This warranty gives you specific legal rights and you may also have other rights which vary from state to state.

TABLE OF CONTENTS**SYSTEM INFORMATION**

Specification Table	1
---------------------------	---

INSTALLATION

Installation Diagram.....	2
Installation Fitting Assemblies	3
Installation Procedures	4

OPERATION

Control Valve Function and Cycles of Operation	7
Control Valve Programming	8
Flow Diagrams	12
Bypass Valve Operation	13

MAINTENANCE

Valve Assembly	14
Injector	16
Brine System and Tank.....	18
Water Meter and Meter Plug	19
Bypass Valve Parts	20
Fittings	21
Troubleshooting.....	22



Specifications

MODEL NUMBER	UNITS	MCV-22-K	MCV-30-K	MCV-40-K	MCV-45-K	MCV-60-K	MCV-22-KC	MCV-30-KC
EXCHANGE CAPACITY (KILOGRAINS)	MAX	22,836	30,448	38,060	45,672	60,896	22,836	30,448
	MID	19,509	26,012	32,515	39,018	52,024	19,509	26,012
	MIN	14,514	19,352	24,190	29,028	38,704	14,514	19,352
SALT PER REGENERATION (LBS. / REGEN)	MAX	11.30	15.00	18.80	22.50	30.00	11.30	15.00
	MID	8.00	10.00	13.00	15.00	20.00	8.00	10.00
	MIN	4.00	5.00	6.00	8.00	10.00	4.00	5.00
MAX SERVICE FLOW (1)	GPM	16	15	16	17	20	16	15
PIPE SIZE - IN/OUT	INCHES	1	1	1	1	1	1	1
DRAIN SIZE	INCHES	3/4	3/4	3/4	3/4	3/4	3/4	3/4
OPERATING PRESSURE MAX	PSI	125	125	125	125	125	125	125
OPERATING TEMPERATURE MAX	DEG F	110	110	110	110	110	110	110
MINERAL TANK SIZE (DIA. X HT.) (2)	INCHES	8×44	9×48	10×47	10×54	12×52	8×35	10×35
BRINE TANK SIZE (DIA. X HT.) (3)	INCHES	18×33	18×33	18×33	18×33	18×40	-na-	-na-
SALT STORAGE	LBS.	375	375	375	375	450	250	250
RESIN VOLUME	CU. FT.	0.75	1.00	1.25	1.50	2.00	0.75	1.00
ELECTRICAL (VOLTAGE, CYCLE)	120 Volts 60 Hz							
SHIPPING WEIGHT	LBS.	72	86	105	119	137	77	91
FLOOR SPACE	INCHES	27×18	28×18	28×18	29×18	31×18	13.5×22.5	13.5×22.5
OVERALL HEIGHT	INCHES	52	56	56	62	60	42	42
MAX FLOW TO DRAIN DURING REGENERATION (4)	GPM	1.7	2.2	2.2	2.7	3.2	1.7	2.7

(1) Pressure drop at 15 psi.

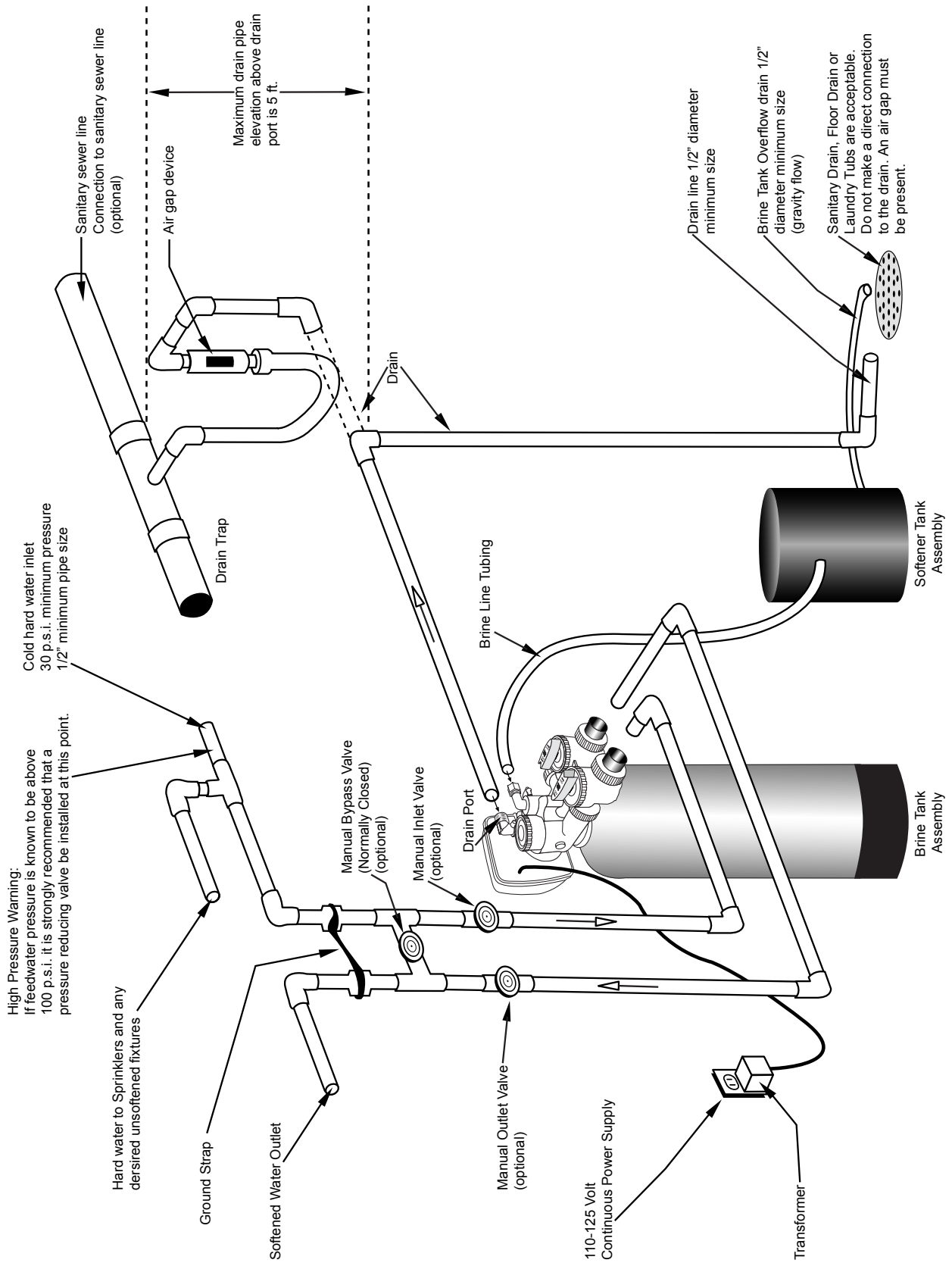
(2) Pressure vessels are seamless and made of reinforced fiberglass, pressure-tested at 300 psi.

(3) Brine tanks are fabricated of seamless, rigid, tough, high-impact, non-toxic polyethylene.

(4) 50 psi inlet pressure.

NOTE: This water softener is not intended to be used for treating water that is microbiologically unsafe or of unknown quality without adequate disinfection before or after treatment.





Typical Water Softener Installation

Installation Fitting Assemblies

1. Installation fittings connect to the control valve or the bypass valve **using nuts that only require hand tightening.** Hand tightened nut connections between control valve and installation fittings, control valve and bypass valve, and bypass valve and installation fittings allow for ease serviceability. Do not use a pipe wrench to tighten nuts on installation fittings. **Hand tighten only.**
2. Split ring retainer design holds the nut on and allows load to be spread over the entire nut surface area reducing the chance for leakage. The split ring design, incorporated into the installation fittings allows approximately 2 degrees off axis alignment to the plumbing system. The installation fittings are designed to accommodate minor plumbing misalignments but are not designed to support the weight of a system or the plumbing.
3. When assembling the installation fitting package, connect the fitting to the plumbing system first and then attach the nut, split ring and o-ring. Heat from soldering or solvent cements may damage the nut, split ring or o-ring. Solder joints should be cool and solvent cements should be set before installing the nut, split ring and o-ring. Avoid getting primer and solvent cements on any part of the o-rings or split rings, bypass valve or control valve. Solvent cements and primers should be used in accordance with the manufacturer’s instructions.
Slip the nut onto the fitting first, then the split ring second and the o-ring last. hand tighten the nut. If the fitting is leaking, tightening the nut will not stop the leak. Remove the nut, remove the fitting, and check for damage or misalignment of the o-ring.

Do not use the pipe dope or other sealant on threads. Teflon tape must be used on the threads of the 1” NPT elbow and the 1/4” NPT connection and on the threads for the drain line connection. Teflon tape is not necessary on the nut connection or caps because of o-ring seals.

Do not use Vaseline, oils or other hydrocarbon lubricants oanywhere on the control valve or resin tank assembly. A silicon lubricant may be used on black o-rings, but is not necessary.

Bypass Valve

1. The bypass valve easily connects to the control valve body using nuts that only require hand tightening. Hand tighten nut connections between control valve and fittings, control valve and bypass valve, and bypass valve and installation fittings allow for easy serviceability. The split ring retainer design holds the nut on and allows load to be spread over the entire nut surface area reducing the chance for leakage. The split ring design, incorporated into the bypass, allows approximately 2 degrees off axis alignment to the plumbing system. The bypass is designed to accommodate minor plumbing misalignments but is not designed to support the weight of a system or the plumbing.

Avoid getting primer and solvent cements on any part of the o-rings or split rings, bypass valve or control valve. Do not use pipe dope or other sealant on threads. Teflon tape is not necessary on the caps because of o-ring seals.

Do not use Vaseline, oils or other hydrocarbon lubricants oanywhere on the control valve or resin tank assembly. A silicon lubricant may be used on black o-rings, but is not necessary.

Connecting Fittings

CAUTION: Care must be used when working with copper tubing. Do not allow the flame from torch to contact any portion of the Valve assembly.

1. Attach 1/2” drain line to drain elbow with insert and nut. Use optional 3/4” drain fittings if drain run exceeds 25 ft.
2. Do not elevate the drain line over 5’ above the top of the valve (8’ on municipal systems) or to exceed 25’ in length at either height.

CAUTION: An air gap must be provided upon sewer entry. (Conform to local plumbing and sanitation codes and ordinances).

3. The salt storage cabinet or brine tank provides an overflow. Attach 1/2” ID flexible plastic tubing to the overflow fitting and direct it to the drain. **DO NOT** connect to the main drain line. Use a separate gravity flow line.



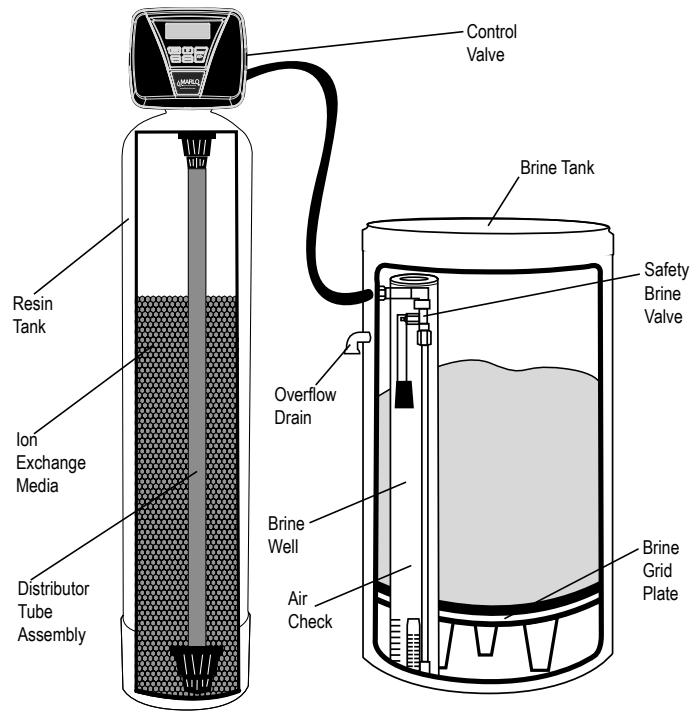
Installation Procedures

Please see page 3 for installation of fitting assemblies.

All installation procedures must conform to local plumbing, electrical and sanitation codes and ordinances.

A. Planning Installation

1. It is recommended that outside faucets for lawn service be on a hard water line, ahead of the softener. This will conserve softened water, save salt and prevent lawn damage. If this is not practical, use the convenient integral bypass valve assembly during irrigation flows.
2. CAUTION: The inlet water temperature MUST NOT EXCEED 110° F.
3. DO NOT locate the softener where ambient temperature drops below 40° F.
4. Allow space around the softener for ease of servicing.
5. Softener drain lines must never be solidly connected to the sewer line (always provide an air gap at the END of the drain line).
6. The drain line must NOT be elevated over 5' from the top of the softener on well systems, and 8' on municipal water systems.
7. Drain line must not extend more than 20' in length. If longer runs are required increase the drain size to 1".
8. The brine tank or salt storage cabinet is a gravity drain. This drain line must be lower than the drain fitting on the side wall of the brine tank or cabinet.



B. General Installation

1. Turn off the main water supply before making any plumbing connections to existing piping.
2. Move the softener into position, making sure it is on a clean level surface. If shims are needed you may use those to create a level installation. DO NOT USE METAL SHIMS
3. When installing the unit, be sure to connect the inlet and outlet to the correct ports on the valve. The bypass valve and the control valve are both marked with arrows that indicate the direction of water flow. If water lines are reversed resin maybe forced from the water softener and into household plumbing system. Should this occur, the plumbing system would need to be flushed.
4. Install the bypass valve assembly. The control valve is designed to accommodate minor plumbing misalignments. It is not designed to support the weight of the unit.
5. Please see page 3, item 3 for assembling and soldering of fittings.
6. Install an appropriate grounding strap across the inlet and outlet piping of the water conditioning system to ensure that a proper ground is maintained.
7. Move the brine tank into place. Making sure that the floor is clean of any debris. Sharp objects such as rocks can cause punctures to the brine tank over a period of time. This would not be covered under Marlo's warranty. (DO NOT ADD SALT AT THIS TIME).
8. Connect one end of the brine line (brine line is located inside the brine tank. Marlo units come with 5' of brine line) to the brine elbow of the brine tank and the other end to the brine elbow on the control valve. The brine elbow on the control valve is black in color and located on the top of the control valve. The brine elbow swivels to allow the brine tank to be placed in a convenient position.
9. The drain line connector is located on the top of the control valve and is black in color. The water softener comes standard with 5/8 insert and nut if installer is using a poly tube. The drain elbow is threaded, so a 3/4" drain line may also be used. NOTE: If soldering the drain line use caution so as not to cause damage to the drain elbow.



10. An overflow fitting is attached to the outside of the brine tank (overflow elbow is white in color). Attach a 5/8 drain line (do NOT connect overflow tubing with drain line tubing). The overflow fitting is installed in case the unit would malfunction and water would continually run to the brine tank. The overflow (if tubing is connected) would allow the excess water to be run to the drain rather than overflow onto the floor. Do NOT run overflow tubing above the overflow elbow at any point.

C. Installation and Start Up

1. Make sure all connections have been made: Inlet, outlet, brine line installed and connected to the brine tank and control valve, drain line installed, and over flow drain tubing connected and run to the drain. (DO NOT CONNECT DRAIN LINE AND OVERFLOW TUBING)
2. If the unit is not in bypass please do so now. If using a bypass purchased with the unit the unit will be in the bypass position when the two arrows on the handles of the bypass are pointing towards each other (see figure 2 page 12).
3. Turn on your main water supply. Locate a cold soft water tap and turn it on, allow the water to run until all excess air and foreign material is removed from the water.
4. Add seven (7) gallons of water to the brine tank.
5. Plug the water softener into the designated receptacle. Program the current time of day (see page 9 for instructions).
6. Press and hold the REGEN button (located in the upper right hand corner) until the unit starts a regeneration (depending on how the unit is programmed the first cycle may be back wash or brine fill). Once the piston stops moving and the unit is counting down press the REGEN key again. This will advance the unit to the next cycle. Repeat this process until you see the word RINSE in the upper left hand corner. Slowly open the inlet side of the bypass (see page 13 figure 3). Let the water run to the drain until the water runs clear.
7. Place the bypass back into the bypass mode (see page 13 figure 2)
8. Press the REGEN button again to cycle the unit to the next cycle. Wait for the piston to stop moving and press the REGEN button again. Repeat this until the unit is at the home screen. The home screen will be blue in color.
9. Press and hold the REGEN button again until the unit starts a regeneration. Depending on how the unit it set up you might have to wait for the piston to stop moving and press the REGEN button again repeating several times till the word BACKWASH appears in the upper left hand corner. On most units BACKWASH should appear at the first screen.
10. Slowly turn the handle of the incoming water (See page 13 figure 3) until the bypass valve is completely opened. Once you have a solid flow of water to the drain, open the outlet side of the bypass (see page 13 figure 1) to duplicate the normal operation.
11. Press the REGEN button again to cycle the unit to the next cycle. Wait for the piston to stop moving and press the REGEN button again. Repeat this until the unit is at the home screen. The home screen will be blue in color.
12. Set the incoming hardness of the water, time of regeneration and calendar override. See page 8 Steps 11 through 61.
13. Add salt to brine tank.



D. Manual Regeneration

The user can initiate manual regeneration.

Pressing and holding the REGEN button for approximately 3 seconds will immediately start the regeneration. The user cannot cancel this request.

NOTE: Program Timer “Lockout” Feature

The Program Timer is initially set to allow access to all Programming, Diagnostic and History screens. The Installer can limit access to (lockout) most screens by activating the Lockout Feature.

Activating “Lockout” allows the user to view and change only Water Hardness, Days Override, Time of Regeneration and Time of day.

Activate “Lockout” Feature: Press DOWN then NEXT then UP then CLOCK in sequence. LOCK will briefly appear in the display.

De-activate “Lockout” Feature: Press DOWN then NEXT then UP then CLOCK. UNLOCK will briefly appear in the display.

When in operation normal user displays are time of day, gallons remaining, days remaining before regeneration, or current flow rate are shown. The user has the option to choose which screen is displayed by pressing the NEXT button. When stepping through a procedure if no buttons are pressed within five minutes the display returns to a normal user display. Any changes made prior to the five minute time out are incorporated. The one exception is current flow rate display under the diagnostic procedure. The current flow rate display has a 30 minute time out feature.



Control Valve Function and Cycles of Operation

This glass filled Noryl¹ fully automatic control valve is designed as the primary control center to direct and regulate all cycles of a water softener or filter. When the control valve is set up as a softener, the control valve can be set to perform down flow or up flow regeneration with the proper piston. When the control valve is set up as a filter, the control valve can be set to perform down flow regeneration or simply backwash. The control valve can be set to regenerate on demand (consumption of a predetermined amount of water) and/or as a time clock (passage of a particular number of days). The control valve can be set so that the softener can meet the Water Quality Association (WQA) or NSF International efficiency rating.

The control valve is compatible with a variety of regenerants and resin cleaners. The control valve is capable of routing the flow of water in the necessary paths to regenerate or backwash water treatment systems. The injector regulates the flow of brine or other regenerants. The control valve regulates the flow rates for backwashing, rinsing and the replenishing of treated water into a regenerant tank, when applicable.

The control valve is designed to deliver high service (27 gpm @ 15 psig) and backwash (27 gpm @ 25 psig) flow rates when the bypass has straight fittings and a 1.050” distributor. The control valve uses no traditional fasteners (e.g. screws), instead clips, threaded caps, nuts and snap type latches are used. Caps and nuts only need to be firmly hand tightened because radial seals are used. Tools required to service the valve include one small blade screwdriver, pliers and a pair of hands. Disassembly for servicing takes much less time than comparable products currently on the market. Control valve installation is made easy because the distributor tube can be cut 1/2” above to 1/2” below the top of the tank thread. The distributor tube is held in place by an o-ring seal and the control valve also has a bayonet lock feature for upper distributor baskets.

The transformer power pack comes with a 15-foot power cord and is designed for use with the control valve. The transformer power pack is for dry location use only. The control valve remembers all settings for up to 8 hours if the power goes out and the battery is not depleted. After 8 hours, the only item that needs to be reset is the time of day; other values are permanently stored in the nonvolatile memory. If a power loss lasts less than 8 hours and the time flashes on and off, the time of day should be reset and the non rechargeable battery should be replaced. The replacement battery is a commercially available 3 volt Lithium coin cell type 2032.

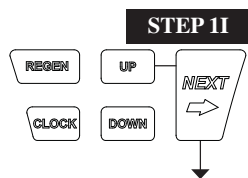
Table 3 shows the order of the cycles when the valve is set up as a softener. When the control valve is used as a down flow softener, two backwashes always occur. When the control valve is used as an up flow softener, only one backwash occurs after brining. The installer has the option of having the regenerant refill after the rinse cycle or have the regenerant prefill before regeneration. If the installer chooses to have the regenerant prefill before regeneration, the prefill starts two hours before the regeneration time set. During the 2-hour period in which the brine is being made, treated (softened) water is still available. For example: regeneration time = 2:00 A.M., prefill option selected, downflow softener. Fill occurs at 12:00 A.M., start of backwash cycle occurs at 2:00 A.M.

1 - Noryl is a trademark of General Electric

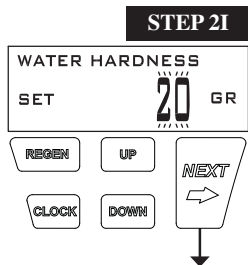
Table 3 Regeneration Cycles
1st Cycle: Backwash Normal
2nd Cycle: Regenerate
3rd Cycle: Backwash Normal
5th Cycle: Rinse
6th Cycle: Fill



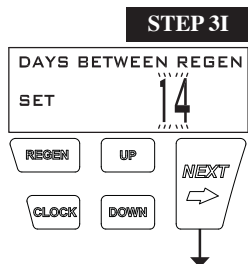
Installer Display Settings



STEP 1I - Press NEXT and UP simultaneously for 3 seconds.



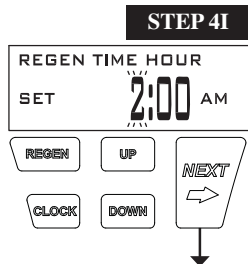
STEP 2I – Hardness: Set the amount of hardness in grains of hardness as calcium carbonate per gallon using DOWN or UP. The default is 20 with value ranges from 1 to 150 in 1 grain increments. Note: The grains per gallon can be increased if soluble iron needs to be reduced. This display will not show if “FILTERING” is selected in Step 2F or if ‘AUTO’ is not selected in Set Volume Capacity in OEM Softener System Setup. Press NEXT to go to step 3I. Press REGEN to exit Installer Display Settings.



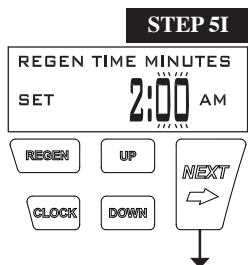
STEP 3I – Day Override: When volume capacity is set to “OFF”, sets the number of days between regenerations. When volume capacity is set to AUTO or to a number, sets the maximum number of days between regenerations. If value set to “OFF”, regeneration initiation is based solely on volume used. If value is set as a number (allowable range from 1 to 28) a regeneration initiation will be called for on that day even if sufficient volume of water were not used to call for a regeneration. Set Day Override using DOWN or UP:

- number of days between regeneration (1 to 28); or
- “OFF”.

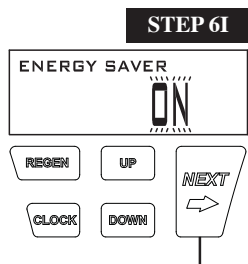
Press NEXT to go to step 4I. Press REGEN to return to previous step.



STEP 4I – Next Regeneration Time (hour): Set the hour of day for regeneration using DOWN or UP. AM/PM toggles after 12. The default time is 2:00 AM. This display will show “REGEN IMMEDIATE ON ZERO GAL” if “IMMEDIATE” is selected by the installer. Press NEXT to go to step 5I. Press REGEN to return to previous step.



STEP 5I – Next Regeneration Time (minutes): Set the minutes of day for regeneration using DOWN or UP. This display will not be shown if “IMMEDIATE” was selected by the installer. Press NEXT to go to Step 6I. Press REGEN to return to previous step.

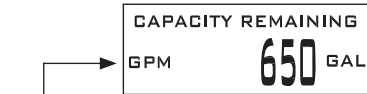


STEP 6I – Energy Saver operation. When set to OFF, the display backlight is always on. When set to ON, the display backlight will go off after 5 minutes of no keypad activity. A valve error or salt level alert will activate the display backlight, and prevent deactivation until the error or alert is reset by the user. Press NEXT to exit Installer Display Settings. Press REGEN to return to the previous step.

RETURN TO NORMAL MODE

User Display Settings

When the system is operating, several displays may be shown. Pressing NEXT will alternate between the displays. One of the displays is the current time of day. CAPACITY REMAINING is the gallons that will be treated before the system goes through a regeneration cycle. Pressing DOWN while in the Capacity Remaining display will decrease the capacity remaining in 10 gallon increments and will also increase the volume used impacting the recorded values in Diagnostics Steps 3D, 4D and 5D and Valve History, Step 4VH. DAYS TO A REGEN is the number of days left before the system goes through a regeneration cycle. Pressing UP or DOWN while in this screen will temporarily increase or decrease the displayed value by 1 day. Another display shows the current treated water flow rate through the system. Contact information will be displayed if it was edited. For concerns with phone number or banner text displays, contact OEM for instructions. The fifth display will show either DP or HOLD if the dP switch is closed. If the system has called for a regeneration that will occur at the pre-set time of regeneration, the words REGEN TODAY will alternate with the header on the display. If a water meter is installed, GPM flashes (and alternates with the flow rate) on the display when water is being treated (i.e. water is flowing through the system). If Salt Level Monitor has been set to ON in Step 16S, the Salt Level screen will appear. To adjust the salt level, press CLOCK, and use UP or DOWN to set the current value. The salt level is adjustable from 0 to 500 lbs. in 10 lb. increments.



GPM and flow rate will flash while water is being treated.

NOTE: SALT LEVEL screen only appears if programmed.



REGEN PENDING will be displayed in Alternator Systems whenever a unit is waiting to initiate the first cycle step of regeneration.



STAND BY will be displayed in Alternator Systems when a valve is in Standby state.



DELAYED RINSE+FILL PENDING will be displayed whenever a zero-capacity tank has transferred to an off-line state and is currently waiting to initiate the second portion of a regeneration cycle. Viewed only when Delayed Rinse and Fill is set to ON.



Regeneration Mode

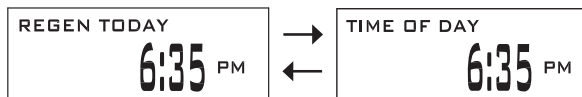
Typically a system is set to regenerate at a time of low water usage. An example of a time with low water usage is when a household is asleep. If there is a demand for water when the system is regenerating, untreated water will be used.



When the system begins to regenerate, the display will change to include information about the step of the regeneration process and the time remaining for that step to be completed. The system runs through the steps automatically and will reset itself to provide treated water when the regeneration has been completed.

Manual Regeneration

Sometimes there is a need to regenerate the system sooner than when the system calls for it, usually referred to as manual regeneration. There may be a period of heavy water usage because of guests or a heavy laundry day.



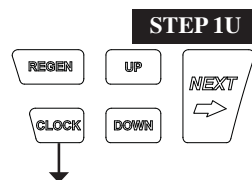
To initiate a manual regeneration at the preset delayed regeneration time, when the regeneration time option is set to “DELAYED REGEN” or “DELAY + IMMEDIATE”, press and release “REGEN”. The words “REGEN TODAY” will periodically be shown on the display to indicate that the system will regenerate at the preset delayed regeneration time. If you pressed the “REGEN” button in error, pressing the button again will cancel the request. Note: If the regeneration time option is set to “IMMEDIATE” there is no set delayed regeneration time so “REGEN TODAY” will not activate if “REGEN” button is pressed.

To initiate a manual regeneration immediately, press and hold the “REGEN” button for three seconds. The system will begin to regenerate immediately. The request cannot be cancelled.

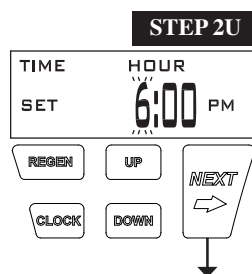
Note: For softeners, if brine tank does not contain salt, fill with salt and wait at least two hours before regenerating.

Set Time of Day

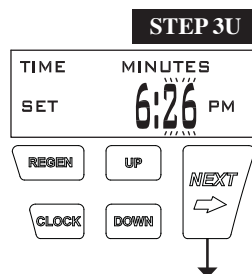
The user can also set the time of day. Time of day should only need to be set if the battery has been depleted because of extended power outages or when daylight saving time begins or ends. If an extended power outage occurs, the time of day will flash on and off which indicates the time of day should be reset. The non rechargeable battery should also be replaced.



STEP 1U – Press CLOCK.



STEP 2U - Current Time (hour): Set the hour of the day using DOWN or UP. AM/PM toggles after 12. Press NEXT to go to Step 3U.



STEP 3U - Current Time (minutes): Set the minutes of the day using DOWN or UP. Press NEXT to exit Set Time of Day. Press REGEN to return to previous step.

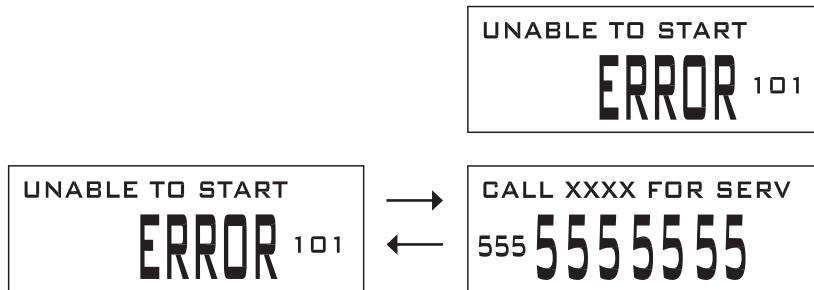
RETURN TO NORMAL MODE

Power Loss

If the power goes out the system will keep time until the battery is depleted. If an extended power outage occurs, the time of day will flash on and off which indicates the time of day should be reset and the non rechargeable battery replaced. The system will remember the rest.

Error Message

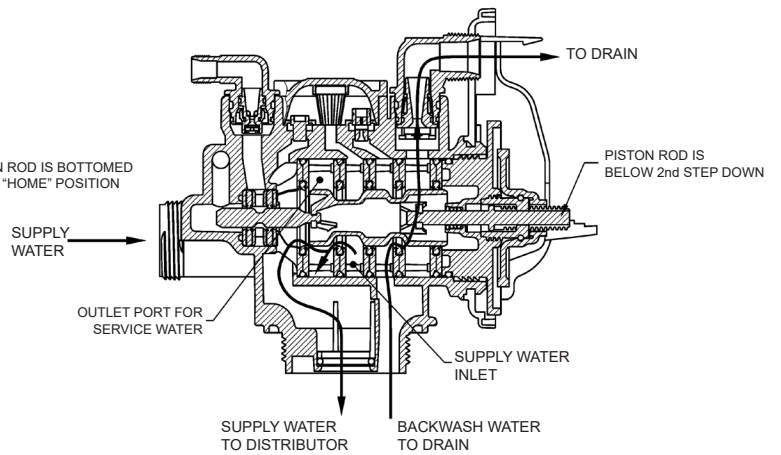
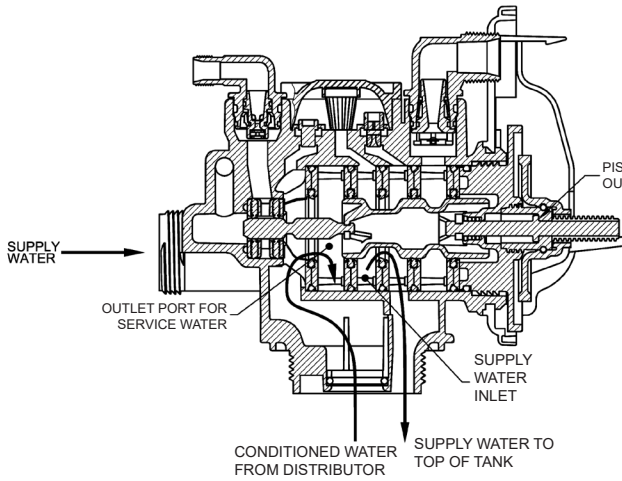
If the word “ERROR” and a number are displayed contact the Installer for help. This indicates that the valve was not able to function properly. If the number and banner text in the Contact Screens has been edited, the two displays below will alternate.



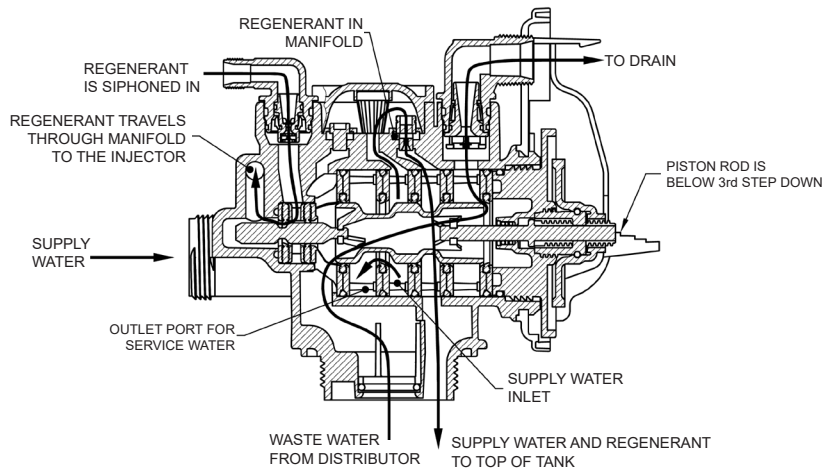
FLOW DIAGRAMS

flow diagram...service

flow diagram...backwash

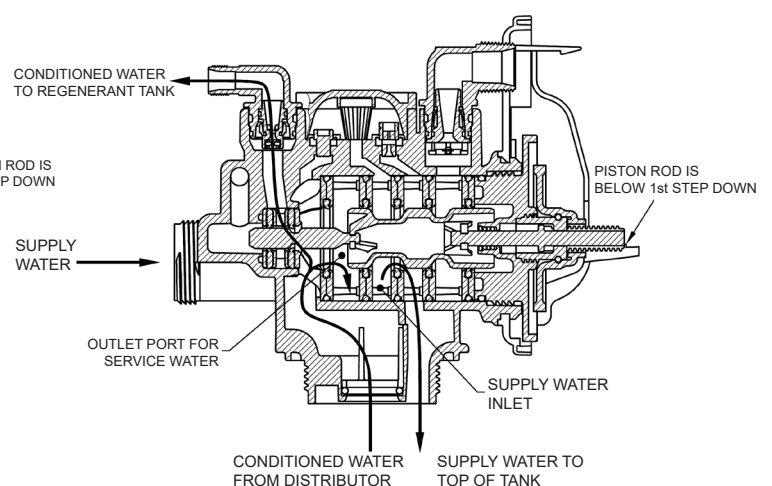
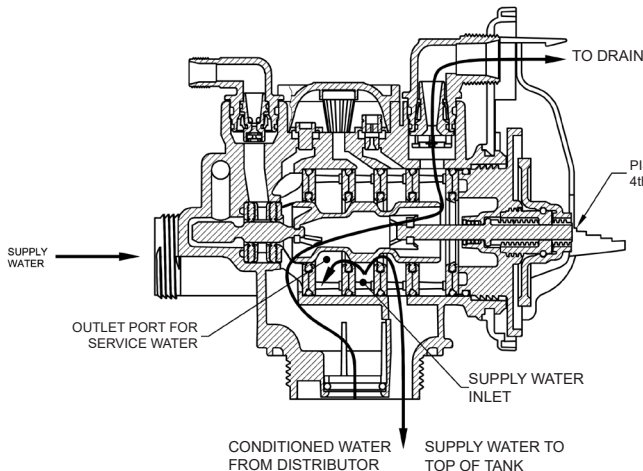


flow diagram...downflow brine



flow diagram...rinse

flow diagram...fill



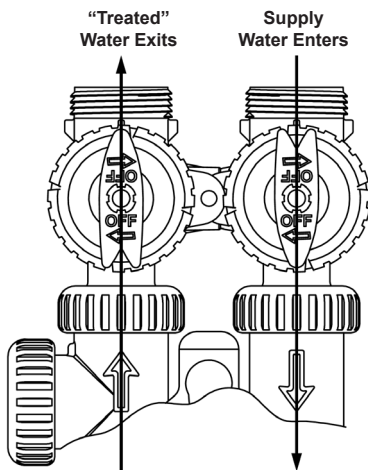
Bypass Valve

The bypass valve is typically used to isolate the control valve from the plumbing system’s water pressure in order to perform control valve repairs or maintenance. The WS1 bypass valve is particularly unique in the water treatment industry due to its versatility and state of the art design features. The 1” full flow bypass valve incorporates four positions including a diagnostic position that allows service personal to work on a pressurized system while still providing untreated bypass water to the facility or residence. Its completely non-metallic, all plastic, design allows for easy access and serviceability without the need for tools.

The bypass body and rotors are glass filled Noryl and the nuts and caps are glass filled polypropylene. All seals are self-lubricating EPDM to help prevent valve seizing after long periods of non-use. Internal o-rings can easily be replaced if service is required.

The bypass consists of two interchangeable plug valves that are operated independently by red arrow shaped handles. The handles identify the flow direction of the water. The plug valves enable the bypass valve to operate in four positions.

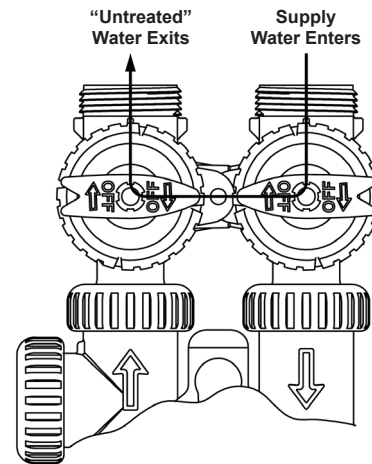
Figure 1
NORMAL OPERATION



Normal Operation:

The inlet and outlet handles point in the direction of flow indicated by the engraved arrows on the control valve. Water flows through the control valve during normal operation and this position also allows the control valve to isolate the media bed during the regeneration cycle.

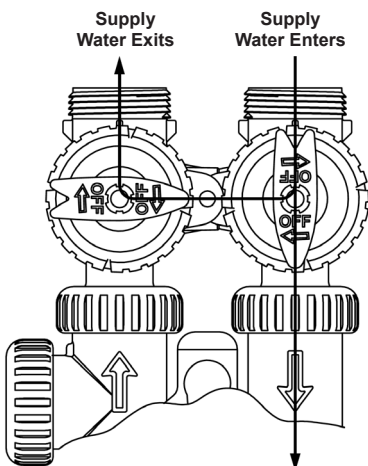
Figure 2
BYPASS OPERATION



Bypass:

The inlet and outlet handles point to the center of the bypass, the control valve is isolated from the water pressure contained in the plumbing system. Untreated water is supplied to the plumbing system.

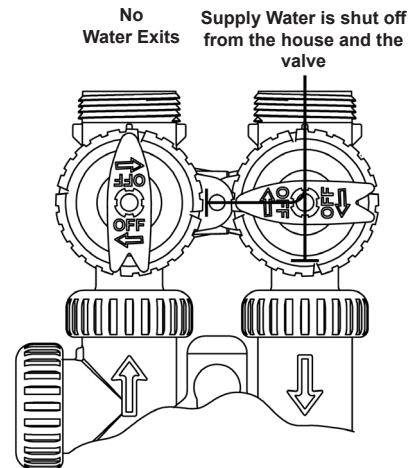
Figure 3
DIAGNOSTIC MODE



Diagnostic:

The inlet handle points in the direction of flow and the outlet handle points to the center of bypass valve, system water pressure is allowed to the control valve and the plumbing system while not allowing water to exit from the control valve to the plumbing.

Figure 4
SHUT OFF MODE

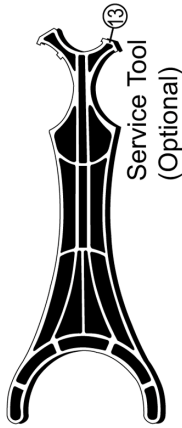


Shut Off:

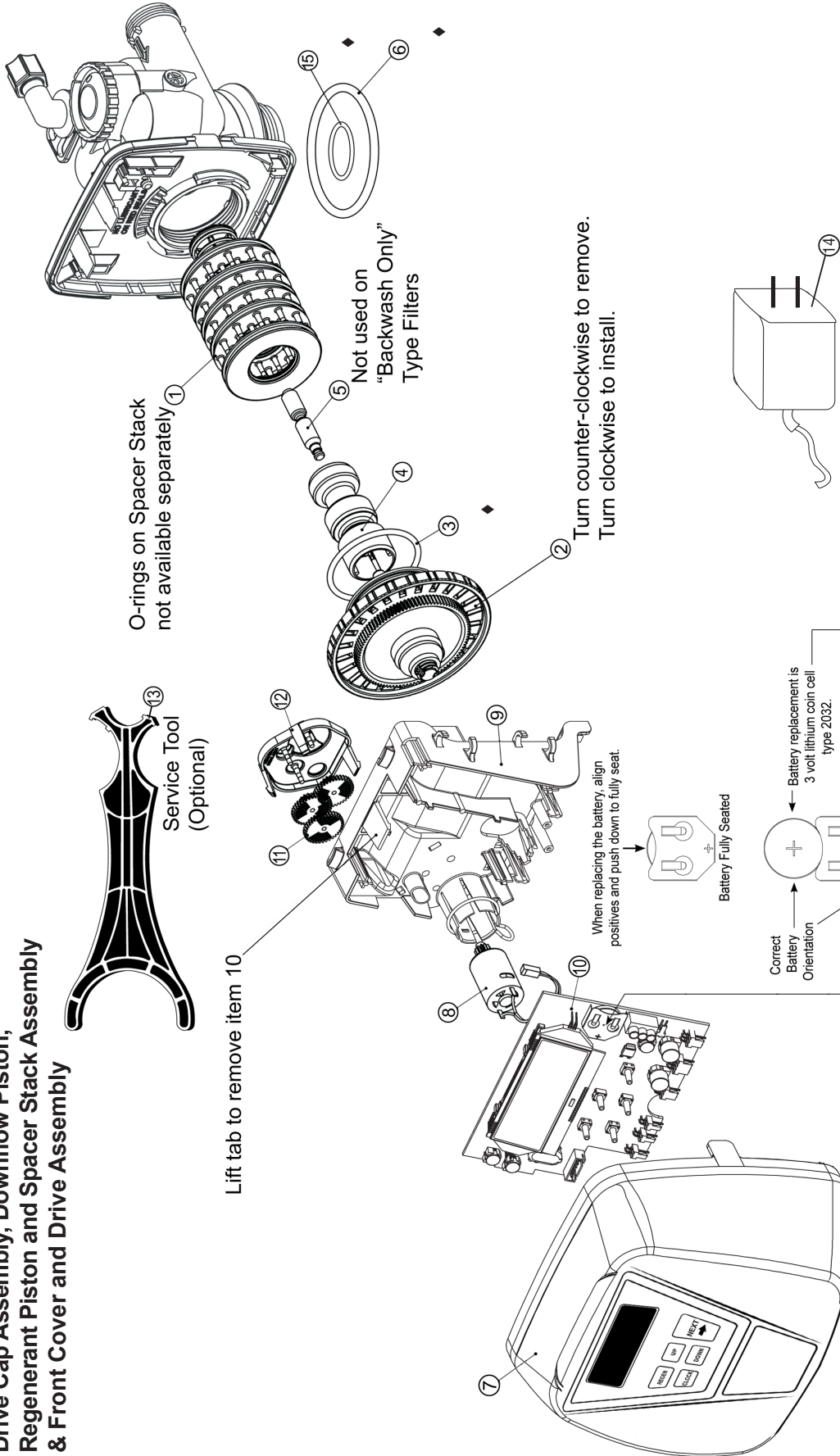
The inlet handle points to the center of the bypass valve and the outlet handle points in the direction of flow, the water is shut off to the plumbing system. If water is available on the outlet side of the softener it is an indication of water bypass around the system (i.e. a plumbing connection somewhere in the building bypasses the system).



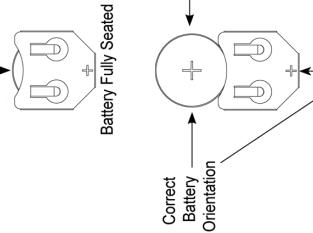
**Drive Cap Assembly, Downflow Piston,
Regenerant Piston and Spacer Stack Assembly
& Front Cover and Drive Assembly**



Lift tab to remove item 10



When replacing the battery, align positives and push down to fully seat.



**Drive Cap Assembly, Downflow Piston, Upflow Piston,
Regenerant Piston and Spacer Stack Assembly**

Item No.	Part No.	Description	Quantity
1	A2466034	*Spacer Stack Assembly w/o o-rings	1
2	A2080077	Drive Cap Assembly	1
3	B1213022	O-Ring 228 (use Valve O-ring Kit)	1
▲4	A2309040	Piston Downflow Assembly	1
⊗5	A2438033	Regenerant Piston	1
6	B1213022	O-Ring 337 (use Valve O-ring Kit)	1
15	B1213022	O-Ring 215 (use Valve O-ring Kit)	1

▲ Item #4 identified with “DN” code.

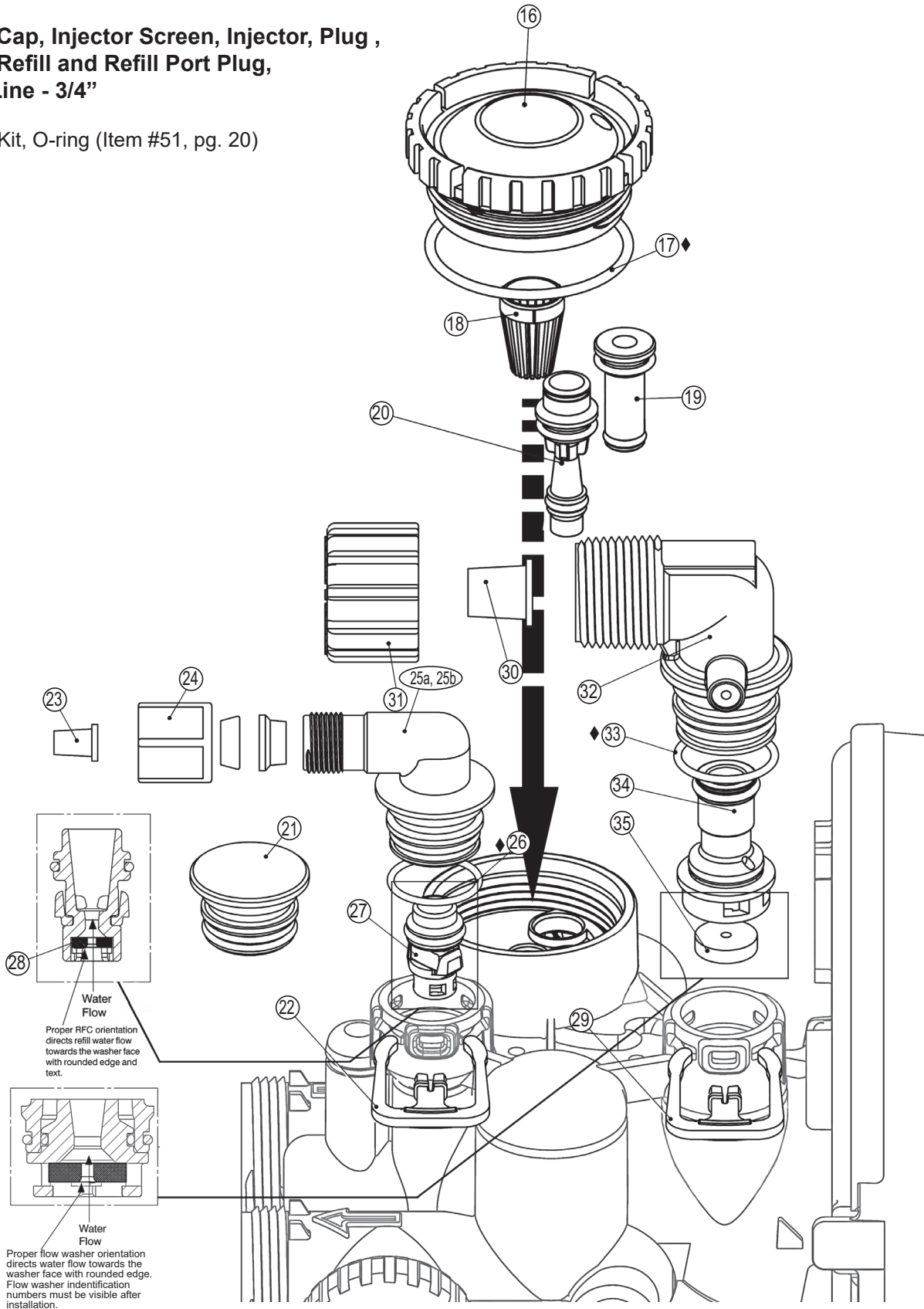
⊗ Item #5 not used with Backwash Only filter applications.

Front Cover and Drive Assembly

Item No.	Part No.	Description	Quantity
7	A2103160	Front Cover ASSY V3948-01	1
8	A2085050	Motor	1
9	A2328046	Drive Bracket & Spring Clip	1
10	A2341033	PC Board V3955MA-BOARD	1
11	A2393046	Drive Gear 12 x 36	3
12	A2103132	Drive Gear Cover	1
13	A2491086	Service Tool	1
14	A2242054	Transformer 110V - 12V	1

**Injector Cap, Injector Screen, Injector, Plug ,
O-Ring, Refill and Refill Port Plug,
& Drain Line - 3/4”**

◆ Part of Kit, O-ring (Item #51, pg. 20)



Injector Cap, Injector Screen, Injector, Plug and O-Ring

Item No.	Part No.	Description	Quantity
16	A2080079	Injector Cap	1
◆17	Use Item 51	O-Ring 135 (Use Valve O-ring Kit)	1
18	A2142016	Injector Screen	1
19	A2079059	Injector Assembly Z Plug	See note 1
20	A2079060	Injector Assembly A Black	
	A2079048	Injector Assembly B Brown	
	A2079046	Injector Assembly C Violet	
	A2079045	Injector Assembly D Red	
	A2079049	Injector Assembly E White	1
	A2079047	Injector Assembly F Blue	
	A2079050	Injector Assembly G Yellow	
	A2079055	Injector Assembly H Green	
	A2079062	Injector Assembly I Orange	
	A2079063	Injector Assembly J Light Blue	
	A2079064	Injector Assembly K Light Green	

*The injector plug and the injector each contain one 011 (lower) and 013 (upper) o-ring.

Note: For downflow brine, injector is located in the down hole and injector plug in the up hole.
For a filter that only backwashes injector plugs are located in both holes.

Refill and Refill Port Plug

Drawing No.	Order No.	Description	Quantity
21	A2287059	Refill Port Plug Assembly	This part is required for backwash only systems
22	A2411015	Elbow Locking Clip	1
23	A2409016	Polytube insert 3/8	1
24	A2095071	Nut 3/8	1
25a	A2080078	Elbow Cap 3/8	(use w/ 3/8" tubing) 1
25b	A2129100	Elbow 1/2" with nut and insert	(use w/ 1/2" tubing) Option
◆26	Use Item 51	O-Ring 019 (Use Valve O-ring Kit)	1
27	A2104033	RFC Retainer Assembly*	1
28	A2253108	RFC Brine Refill Flow Washer	1

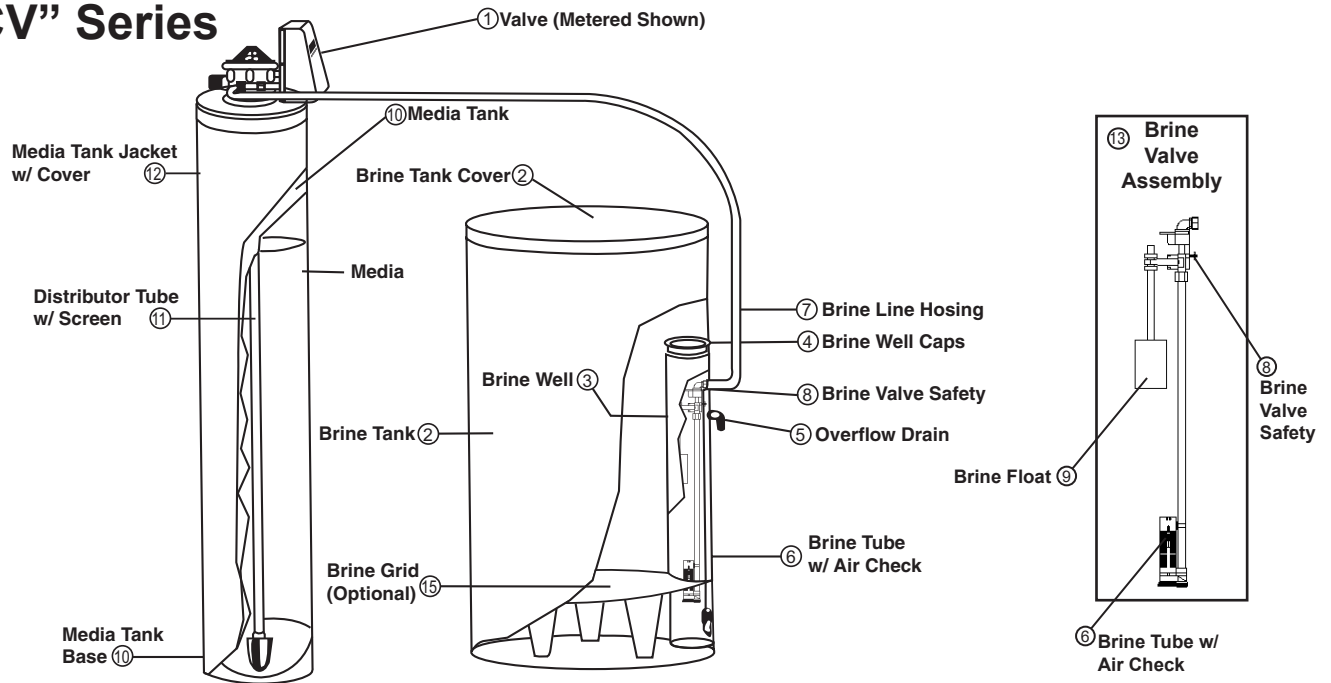
*Assembly includes RFC.

Drain Line - 3/4"

Drawing No.	Order No.	Description	Quantity
29	A2411015	Elbow Locking Clip	1
30	A2409013	Polytube insert 5/8	Option
31	A2095065	Nut 3/4 Drain Elbow	Option
32	A2099056	Drain Elbow 3/4 Male Assembly	1
◆33	Use Item 51	O-Ring 019 (Use Valve O-ring Kit)	1
34	A2104034	Drain Flow Washer Retainer Assembly	1
35	A2253114	Drain Flow Washer 0.7 gpm for 3/4	One DLFC must be used if 3/4 fitting is used
	A2253099	Drain Flow Washer 1.0 gpm for 3/4	
	A2253084	Drain Flow Washer 1.3 gpm for 3/4	
	A2253083	Drain Flow Washer 1.7 gpm for 3/4	
	A2253081	Drain Flow Washer 2.2 gpm for 3/4	
	A2253082	Drain Flow Washer 2.7 gpm for 3/4	
	A2253085	Drain Flow Washer 3.2 gpm for 3/4	
	A2253086	Drain Flow Washer 4.2 gpm for 3/4	
	A2253087	Drain Flow Washer 5.3 gpm for 3/4	



“MCV” Series



PARTS LISTING

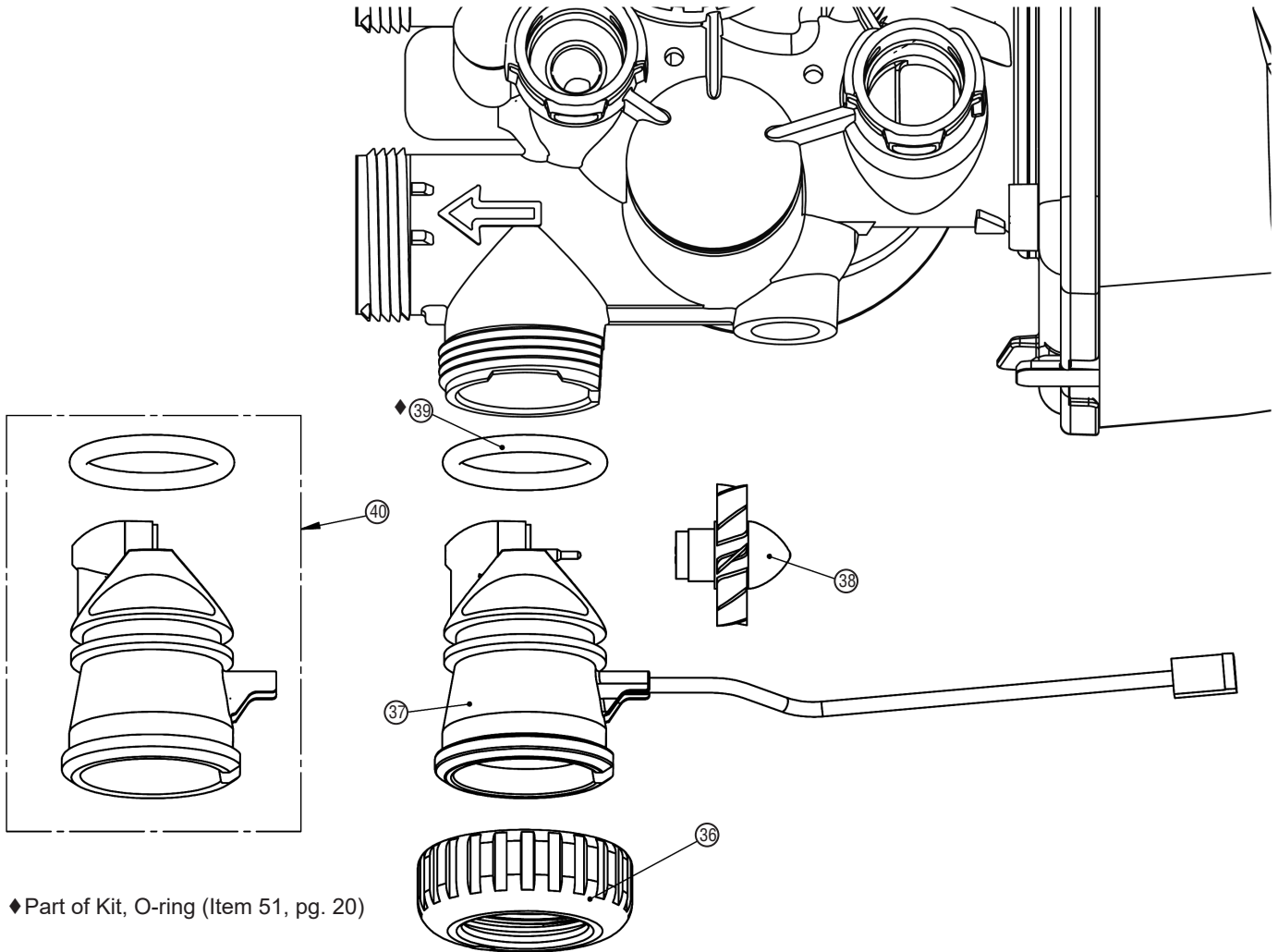
Part Number	No.	Description
Contact Factory	1	Valve Metered (Complete - Specify Model)
A2042018	2	Brine Tank w/ Cover
A2071005	3	Brine Well
A2072003	4	Brine Well Cap
A2250003	5	Overflow Elbow
A2118010	6	Brine Tube w/ Air Check
B1020001	7	Brine Line Hose w/ Inserts
A2005058	8	Brine Valve Safety
A2107022	9	Brine Float
A2126201	10	Media Tank - MCV-22K (8" x 44")
A2126203	10	Media Tank - MCV-30K (9" x 48")
A2126205	10	Media Tank - MCV-40K + Combo (10" x 47")
A2126206	10	Media Tank - MCV-45K (10" x 54")
A2126208	10	Media Tank - MCV-60K (12" x 52")
A2255101	10	Media Tank - MCV-22KC
A2255102	10	Media Tank - MCV-30KC
B1023056	11	Distributor Tube Assembly
Contact Factory	12	Media Tank Jacket w/ cover - Optional
B1017003	13	Brine Valve Assembly - Complete - Includes #6, #8, & #9
A2284002	15	Grid (Optional)
A2121047	16	Media (Specify Model)



Water Meter and Meter Plug

Item No.	Part No.	Description	Quantity
36	A2095069	Nut 1" Quick Connect	1
*37	A2360039	Meter Assembly	1
38	A2100027	Turbine Assembly	1
39	use item 51	O-Ring 215 (Use Valve O-ring Kit)	1
40	A2287077	Meter Plug Assembly (Time clock option)	1

*Item #37 includes Items #38 & #39.



Item No.	Part No.	Description	Quantity
41	A2095069	Nut 1" Quick Connect	2
42	A2453012	Split Ring	2
●43	use item 52	O-Ring 215 (Kit available - see Item #10)	2
44	A2607004	Bypass 1" Rotor	2
45	A2080090	Bypass Cap	2
46	A2395009	Bypass Handle	2
47	A2104036	Bypass Rotor Seal Retainer	2
●48	use item 52	O-Ring 135 (use Bypass Valve Kit)	2
●49	use item 52	O-Ring 112 (use Bypass Valve Kit)	2
●50	use item 52	O-Ring 214 (use Bypass Valve Kit)	2

●Part of Kit, O-ring By-Pass(Item 52)

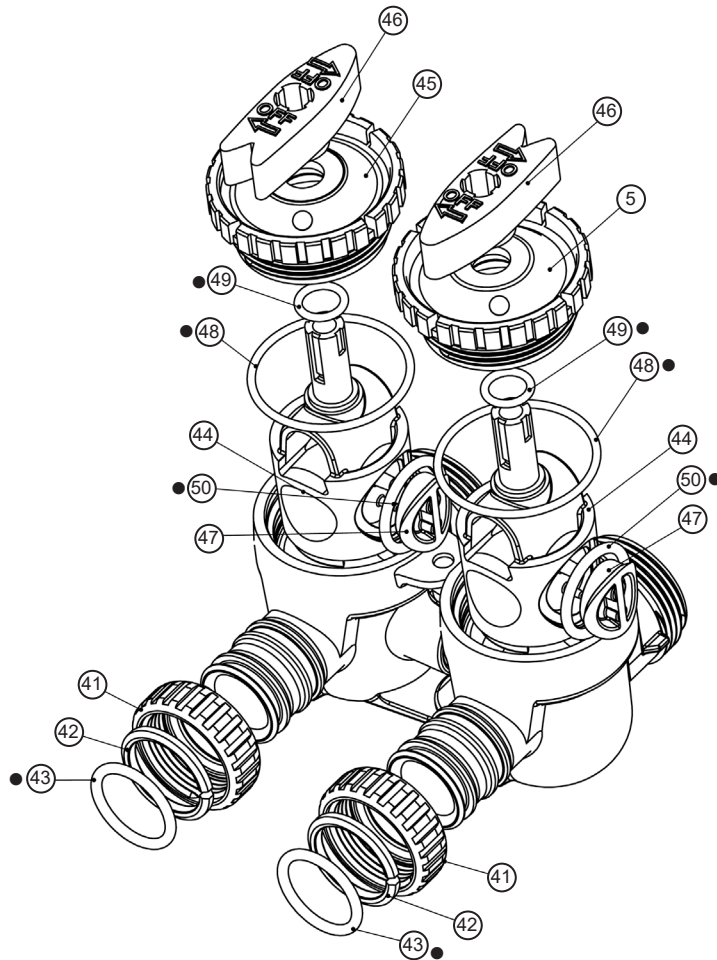
◆ **Valve O-ring Kit**

51	B1213022	KIT O-ring (contains 1 each of 3, 6, 15, 17, 26, & 33)	1 per valve
----	----------	--	-------------

● **Bypass Valve O-ring Kit**

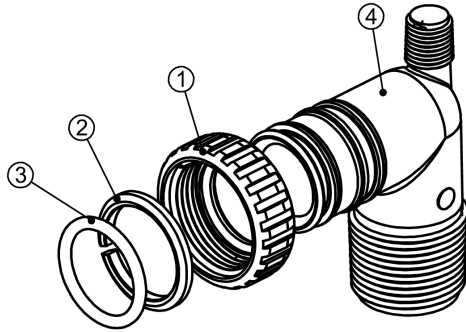
52	B1213021	KIT O-ring Bypass (Incl. 2 ea. of items 43,48,49,& 50)	1 per valve
----	----------	--	-------------

(Not Shown) Description Bypass Vertical Adapter Assembly



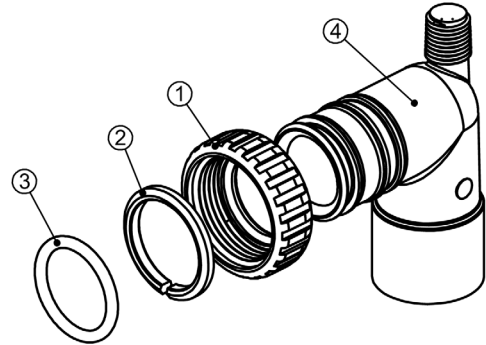
Order No: **A2129080 (Optional)**
Description: **Fitting 1” PVC Male NPT Elbow Assembly**

Drawing No.	Order No.	Description	Quantity
1	A2095069	Nut 1” Quick Connect	2
2	A2453012	Split Ring	2
3	A2077178	O-Ring 215	2
4	A2129101	Fitting 1”PVC MaleNPT Elbow	2



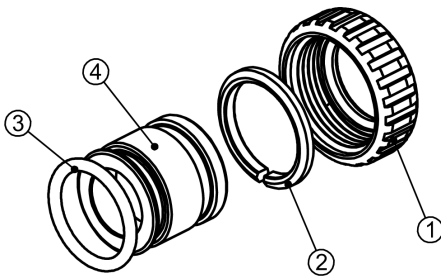
Order No: **A2099054 (Optional)**
Description: **Fitting 3/4” & 1” PVC Solvent 90° Asy**

Drawing No.	Order No.	Description	Quantity
1	A2095069	Nut 1” Quick Connect	2
2	A2453012	Split Ring	2
3	A2077178	O-Ring 215	2
4	A2569008	Fitting 3/4&1 PVC Solvent 90	2



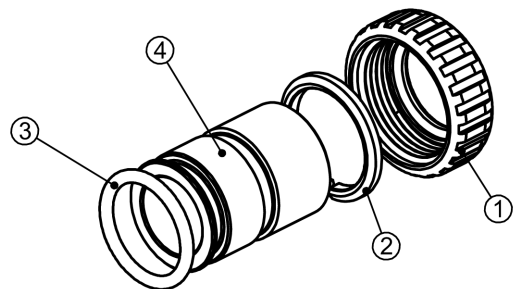
Order No: **A2435068 (Standard)**
Description: **Fitting 1” Brass Sweat Assembly**

Drawing No.	Order No.	Description	Quantity
1	A2095069	Nut 1” Quick Connect	2
2	A2453012	Split Ring	2
3	A2077178	O-Ring 215	2
4	A2569006	Fitting 1” Brass Sweat	2



Order No: **A2435072 (Optional)**
Description: **Fitting 3/4” Brass Sweat Assembly**

Drawing No.	Order No.	Description	Quantity
1	A2095069	Nut 1” Quick Connect	2
2	A2453012	Split Ring	2
3	A2077178	O-Ring 215	2
4	A2569008	Fitting 3/4&1 PVC Solvent 90	2



**Table 15
Troubleshooting Procedures**

Problem	Possible Cause	Solution
1. Timer does not display time of day	a. Transformer unplugged	a. Connect power
	b. No electric power at outlet	b. Repair outlet or use working outlet
	c. Defective transformer	c. Replace transformer
	d. Defective PC board	d. Replace PC board
2. Timer does not display correct time of day	a. Switched outlet	a. Use uninterrupted outlet
	b. Power outage	b. Reset time of day
	c. Defective PC board	c. Replace PC board
3. No softening/filtering display when water is flowing	a. Bypass valve in bypass position	a. Put bypass valve in service position
	b. Meter connection disconnected	b. Connect meter to PC board
	c. Restricted/stalled meter turbine	c. Remove meter and check for rotation or foreign material
	d. Defective meter	d. Replace meter
	e. Defective PC board	e. Replace PC board
4. Control valve regenerates at wrong time of day	a. Power outages	a. Reset control valve to correct time of day
	b. Time of day not set correctly	b. Reset to correct time of day (a.m./p.m.)
	c. Time of regeneration incorrect	c. Reset regeneration time (a.m./p.m.)
	d. Control valve set at “on 0” (immediate regeneration)	d. Check control valve set-up procedure regeneration time option
	e. Control valve set at NORMAL + on 0	e. Check control. valve set-up procedure regeneration time option
5. Display screen will turn red and flash the Installer’s Name and phone number to call for service. ERROR followed by code number 101 Error Code - Unable to recognize start of regeneration 102 Error Code - Unexpected stall 103 Error Code - Motor ran to long, timed out trying to reach next cycle position 104 Error Code - Motor ran to long, timed out trying to reach home position If other Error Codes display contact the factory ERROR Reset Procedure: 1. Correct error condition. 2. Press NEXT and REGEN simultaneously for three seconds.	a. Control valve has just been serviced	a. Press NEXT and REGEN for 3 seconds or unplug power source jack (black wire) and plug back in to reset control valve
	b. Foreign matter is lodged in control valve	b. Check piston and spacer stack assembly for foreign matter
	c. High drive forces on piston	c. Replace piston(s) and spacer stack assembly
	d. Control valve piston not in home position	d. Press NEXT and REGEN for 3 seconds or unplug power source jack (black wire) and plug back in to reset control valve
	e. Motor not inserted fully to engage pinion, motor wires broken or disconnected, motor failure	e. Check motor and wiring. Replace motor if necessary
	f. Drive gear label dirty or damaged, missing or broken gear	f. Replace or clean drive gear(s)
	g. Drive bracket incorrectly aligned to back plate	g. Reseat drive bracket properly
	h. PC board is damaged or defective	h. Replace PC board
	i. PC board incorrectly aligned to drive bracket	i. Ensure PC board is correctly snapped on to drive bracket



Troubleshooting Procedures (continued)

Problem	Possible Cause	Solution
6. Control valve stalled in regeneration	a. Motor not operating	a. Replace motor
	b. No electric power at outlet	b. Repair outlet or use working outlet
	c. Defective transformer	c. Replace transformer
	d. Defective PC board	d. Replace PC board
	e. Broken drive gear or drive cap assembly	e. Replace drive gear or drive cap assembly
	f. Broken piston retainer	f. Replace drive cap assembly
	g. Broken main or regenerant piston	g. Replace main or regenerant piston
7. Control valve does not regenerate automatically when REGEN button is depressed and held	a. Transformer unplugged	a. Connect transformer
	b. No electric power at outlet	b. Repair outlet or use working outlet
	c. Broken drive gear or drive cap assembly	c. Replace drive gear or drive cap assembly
	d. Defective PC board	d. Replace PC board
8. Control valve does not regenerate automatically but does when REGEN button is depressed	a. By-pass valve in bypass position	a. Put control valve in service position
	b. Meter connection disconnected	b. Connect meter to PC board
	c. Restricted/stalled meter turbine	c. Remove meter and check for rotation or foreign material
	d. Defective meter	d. Replace meter
	e. Defective PC board	e. Replace PC board
	f. Set-up error	f. Check control valve set-up procedure
9 Time of day flashes on and off	a. Power has been out more than two hours, the transformer was unplugged and then plugged back into the wall outlet, the transformer plug was unplugged and then plugged back into the board or the NEXT and REGEN buttons were pressed to reset the valve.	a.. Reset the time of day



NOTES



2227 South Street • P.O. Box 044170 • Racine, WI 53404-7003

Ph. (262) 681-1300 • Fax (262) 681-1318 • Info@Marlo-Inc.com • www.Marlo-Inc.com